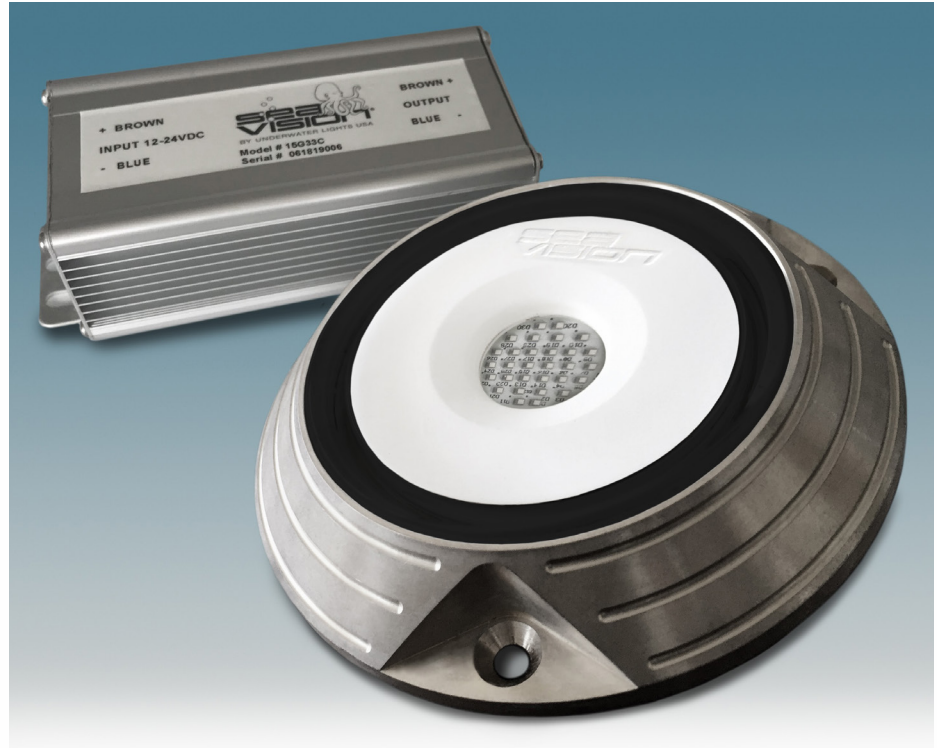


SV55 LED GEN II Surface Mount



The brightest surface mounted underwater light currently available. The slim line robust electroless nickel plated aluminum bronze housing incorporates the latest High Density LED chip technology which together with the proven borosilicate glass lens guarantees years of trouble free usage. This light is suitable for any small to mid-sized boat requiring a DC powered underwater light.



SV55 LED GEN II technical specifications

Application for:	GRP / Fiberglass / Wood Hulls
Lamp:	High Density LED Array
Available in:	White, Blue
Life length:	Approx 40,000 + Hours
Kelvin colour temp:	6500 Lumens: 7383
Glass lens:	Borosilicate Glass
Thickness:	0.24" / 6mm
Diameter:	2.7" / 70mm
Power supply:	12/24 VDC – 2.0 Amps 24V / 4.2 Amps 12V
Casing material:	Electroless Nickel Plated Marine Bronze
Dimensions:	Diameter: 3.94" / 100mm Depth: 0.8" / 21mm

Weight: 1.4kg / 3lbs

Code: SV55 LED GEN II

Total shipping weight: 1.8kg / 4lbs

Installation: Recommended at least 5 – 6" (125-150mm) below waterline between 3-6 feet (1-2 meters) apart.

The placement of surface mounted underwater lights on the hull bottom or sides is not recommended.

All information is subject to change without prior notice, please confirm details prior to ordering.



3406 SW 26th Terrace, C-6/7, Fort Lauderdale, FL 33312 USA
T. 954 760 4447 Toll Free 1 866 772 0130 F. 954 525 3261
sales@seavision.com www.seavision.com

SV55 Light Gen II

LOW PROFILE SURFACE
MOUNT LED



Introduction:

Congratulations on the purchase of your new low profile surface mount LED array light (Patent Pending). Underwater Lights® USA, LLC takes pride in providing well designed, high quality and thoroughly tested lights that allow you to “enhance your boating experience”. These lights can be installed in your vessel for aesthetics, to attract fish and/or for security and safety.

General Operating Information:

The latest commercial grade “COB” High-Density Light Emitting Diode (LED) technology used in this light will provide robust and reliable operation under normal operating conditions when used with the matching Underwater Lights® USA, LLC driver.

Depending upon water clarity conditions, the light beam can reach up to 9 meters (30 feet).

General Safety Information:

This light is intended for use on fiberglass and wood hulled vessels.

Always disconnect and lock-out power before working on light.

The light, electrical components and electrical cabling should be visually inspected for proper operating condition every six months.

Marine growth should be regularly removed from the convex glass using a soft brush to allow clear illumination from the light.

Technical Specifications:

Light source = Instant-on high flux, high density LED array - 7,383 Lumens and 6,500 Kelvin color temperature in White or optional Blue LED array - 40,000+ hours life - Thermal limit switch and short circuit protection included

Lense = Borosilicate glass - 6.0mm (0.24”) thick - 70mm (2.7”) diameter net aperture

Construction = Electroless nickel plated marine bronze

Light dimensions = 100mm (3.94”) diameter x 21.0mm (0.8”) long - 714 grams (1.6 lbs)

LED driver dimensions = 119.5mm (4.7”) long x 48.3mm (1.9”) wide x 34mm (1.3”) tall - 112 grams (0.25 pounds)

Power supply = 12 VDC or 24 VDC - 2.3 Amps continuous - Operating temperature from -30°C (-22°F) to 50°C (122°F)

Underwater Lights USA, LLC
3406 S.W. 26th Terrace, C-6/7
Fort Lauderdale, FL 33312 USA
Phone: 1-954-760-4447
Fax: 1-954-525-3261
Internet: www.seavision.com
Email: sales@seavision.com

DOC:051713-9

Underwater Lights Europe Sarl
2323, Chemin de Saint-Bernard
Space Antipolis 6, 06220 Vallauris, France
Phone: 33-(0)-4-97-21-02-96
Fax: 33-(0)-4-97-21-10-96
Internet: www.seavision.com
Email: sales@seavisioneurope.com

SV55 Light Gen II

LOW PROFILE SURFACE
MOUNT LED



Installation:

This light should be installed at least 125-150mm (5-6") below the water line by qualified/approved personnel using proper tools and materials.

The placement of surface mounted underwater lights on the hull bottom or sides is not recommended.

After selecting a flat mounting surface on the vessel hull, drill a 12mm (1/2") diameter hole for electrical cable routing. Apply marine grade sealant to back of light, then attach using three Phillips Flat Head Screws (9). Note: Depending upon mounting surface material, three small pilot holes may be required. Caution! Check that no electrical wiring, fuel lines, oil lines, water lines etc., pass near the selected mounting location. Upon completing light installation, apply Lightspeed underwater light coating on the Main Body (1) and Convex Glass (2).

Route Electrical Cable (8) into the vessel, then secure accordingly. Caution! Avoid making tight bends and/or passing Electrical Cable (8) over sharp edges/surfaces. Securely mount LED Driver (10) as high as possible away from the light using at least one fastener on each mounting flange.

Connect LED driver "RED IN" wire to switched and fused power source utilizing supplied fuse.

Connect LED driver "BLACK IN" wire to good ground.

Connect LED driver "BROWN OUT" wire to LED light RED wire.

Connect LED driver "BLUE OUT" wire to LED light BLACK wire.

Caution! Directly connecting power source to light without using the LED driver will permanently damage the light.

Bonding:

If a bonding system is in place, install the supplied bronze screw by thru bolting and attaching a bonding wire.

Service:

The lights are factory rebuildable only. For all servicing return lights to the US office for repair and/or rebuilding.

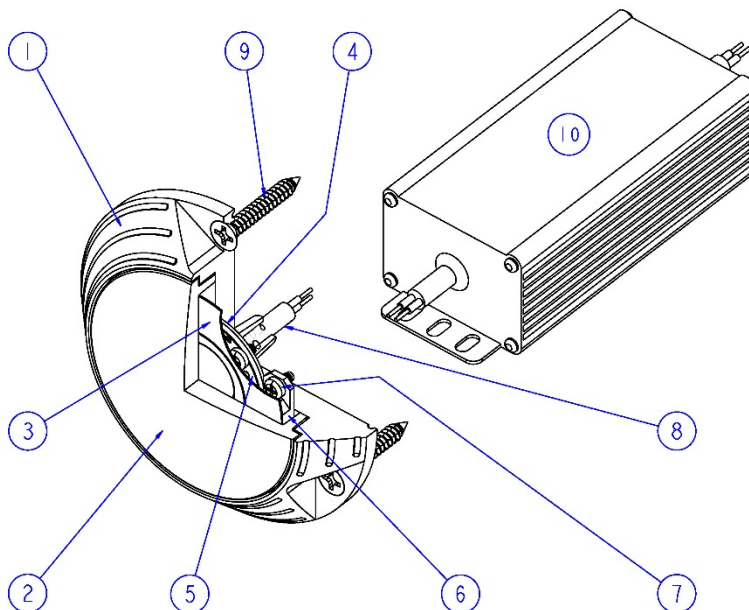
Troubleshooting:

Please contact our technical support staff in Florida at 1-954-760-4447, Monday to Friday from 8:00 am to 5:00 pm EST.

Warranty:

Underwater Lights® USA, LLC warrants this light to be free from defects in workmanship and materials for a period of two years from the date of original purchase. Further, misuse, abuse, improper installation, neglect, improper shipping, damage caused by disasters such as fire, flood and lightning, unauthorized repair or modifications will void said warranty. Should your light prove defective during the warranty period, promptly contact Underwater Lights® USA, LLC for an RMA number and then return the light freight prepaid with the RMA number clearly marked on the outside of the shipping container.

MODEL M13Z99B41-15G36C-24, 12-14/VDC		
BALLOON	PART	DESCRIPTION
1	55034	MAIN BODY, ELECTROLESS NICKEL PLATED MARINE BRONZE*
2	55039	CONVEX GLASS
3	55041	REFLECTOR
4	55042	LED ARRAY MOUNTING PLATE
5	55043 55044	WHITE LED ARRAY LED ARRAY CONNECTOR
6	55045	THERMOSWITCH
7	55046	M3 x 0.5 x 5 LG SST PHILLIPS PHS
8	55019	ELECTRICAL CABLE
9	55018	No. 10 x 1-1/4" LG SST PHILLIPS FHS
10	55051	12-24VDC LED DRIVER
*PLEASE CALL FOR OTHER LIGHT COMPONENT CONFIGURATIONS		



Underwater Lights USA, LLC
3406 S.W. 26th Terrace, C-6/7
Fort Lauderdale, FL 33312 USA
Phone: 1-954-760-4447
Fax: 1-954-525-3261
Internet: www.seavision.com
Email: sales@seavision.com

DOC:051713-9

Underwater Lights Europe Sarl
2323, Chemin de Saint-Bernard
Space Antipolis 6, 06220 Vallauris, France
Phone: 33-(0)-4-97-21-02-96
Fax: 33-(0)-4-97-21-10-96
Internet: www.seavision.com
Email: sales@seavisioneurope.com

IMPORTANT NOTICE!



English:

All drawings of general management, design detail and invention are the property of Underwater Lights USA, LLC and may be used solely for work contracted or by express written permission of Underwater Lights USA, LLC. This applies to first hand use and material on loan to others. Any infringement may be liable to penalty and/or compensation without regard to the question of guilt. All drawings are subject to detail development during the course of construction, and all rights of reproduction are reserved. Any information provided by Underwater Lights USA, LLC in either hard copy or electronic format may be subject to change/s without prior purchaser, customer or end user notice.

French:

Tous les dessins, détails généraux, de conception et d'invention sont la propriété de Underwater Lights USA, LLC et ne peuvent être utilisés que pour des travaux sous contrat ou avec l'autorisation écrite expresse de Underwater Lights USA, LLC. Ceci s'applique à la fois à la première utilisation et au matériel emprunté ou visualisé par des tiers. Toute infraction peut faire l'objet de sanctions et / ou d'une indemnisation sans qu'il soit nécessaire d'établir la preuve de culpabilité. Tous les dessins font l'objet de développements détaillés pendant la construction et tous les droits de reproduction sont réservés. Les informations fournies par Underwater Lights USA, LLC, en version papier ou électronique, peuvent être sujettes à modification(s) sans notification préalable à l'acheteur, au client ou à l'utilisateur final.

Italian:

Tutti i disegni, generali, dettagli di progettazione e di invenzione sono di proprietà della Underwater Lights USA, LLC e possono essere utilizzati esclusivamente per il lavoro contratto o mediante espressa autorizzazione scritta della Underwater Lights USA, LLC. Ciò vale sia per la prima utilizzazione sia per il materiale in prestito o visione a terzi. Qualsiasi infrazione può essere soggetta a sanzioni e/o indennizzi senza considerare la questione del senso di colpa. Tutti i disegni sono soggetti a sviluppo dettagliato durante la costruzione e sono riservati tutti i diritti di riproduzione. Le informazioni fornite dalla Underwater Lights USA, LLC, in copia cartacea o elettronica, possono essere soggette a modifica/modifiche senza preavviso all'acquirente, al cliente o all'utente finale.

Spanish:

Todos los dibujos, detalles de diseño y creación son propiedad de Underwater Lights USA, LLC y pueden ser utilizados únicamente para trabajos relacionados o a través de autorización escrita de Underwater Lights USA, LLC. Esto aplica a utilizarlos de primera mano o a material prestado a otros. Cualquier violación de estos términos puede ser penalizada y/o una compensación puede ser requerida sin cuestionar la culpabilidad. Todos los dibujos están sujetos a ser desarrollados en detalle durante el transcurso de la construcción y todos los derechos de reproducción son reservados. Toda la información proporcionada por Underwater Lights USA, LLC tanto en forma impresa como digital está sujeta a cambios en cualquier momento sin notificarle al comprador, cliente o usuario final.