

# SV44 Surface Mount GEN II



Patent Pending

## SV44 GEN II technical specs

**T**he improved Gen II SV44 is a high powered eight LED surface mounted underwater light. The unique elongated domed lens provides a wide angled lighting effect in the water which eliminates the need for multiple lights on smaller boats and reduces the number of lights required on larger boats. Corrosion is eliminated with the use of a thermally conductive polymer, CoolPoly®, thermoplastic housing. The durable borosilicate lens makes cleaning the light simple. Bonding is not required which further simplifies the installation procedure. Available in blue or white colors this light is ideal for any boat requiring surface mounted underwater lights.

Application for:	Fiberglass / wood hulls
Glass Lens:	Convex cylindrical
Power Supply:	11-28 volt d.c. - 0.75 Amps 24V/1.5 Amps 12V
Light Source:	White or blue LED array
Life Length:	Approx. 30,000 + hours
Kelvin color temp:	6500K Lumens: 1826
Dimensions:	Length: 6.46" (164mm) Height: 1.73" (44mm) Thickness: 1.14" (29mm)
Construction:	Black nylon and black thermoplastic
Total shipping weight:	2 lbs
Installation:	Fastened to a flat surface by way of three flat head screws The placement of surface mounted underwater lights on the hull bottom or sides is not recommended

*Note: All information is subject to change without prior notice, please confirm details prior to ordering.*



1881 W. State Road 84, Bay 102, Fort Lauderdale, FL 33315 USA  
T. 954 760 4447 Toll Free 1 866 772 0130 F. 954 525 3261  
sales@seavision.com www.seavision.com

# SV44 Light Gen II

SURFACE MOUNTED,  
8 LED, 11-28VDC



## ***Introduction:***

Congratulations on the purchase of your new surface mounted LED light (Patent Pending). Underwater Lights® USA, LLC takes pride in providing well designed, high quality and thoroughly tested lights that allow you to “enhance your boating experience”. These lights can be installed in your vessel for aesthetics, to attract fish, for security and safety.

## ***General Operating Information:***

The commercial grade Light Emitting Diode (LED) technology used in this light will provide robust and reliable operation under normal operating conditions.

The light can be operated for a brief period of time when the vessel is out of the water, however, the light can be operated while the vessel is underway.

Depending upon water clarity conditions, the light beam can reach up to 9 meters (30 feet).

## ***General Safety Information:***

Always disconnect and lock-out power source before working on light.

This light should be attached to the flat surface of a fiberglass or wood hulled vessel.

Marine growth should be removed from the convex cylindrical lense using a soft brush to allow illumination to exit the light.

## ***Technical Specifications:***

Light source = White or Blue LED array - 1826 Lumens (Peak Axial Candela 1574) - 6500 Kelvin color temperature (white) - Approximately 30,000 hours life

Internal thermal limit protection and reverse polarity protection included.

Lense = Convex cylindrical borosilicate glass - 143mm (5.63”) long x 23mm (0.91”) high net aperture - 9.5mm (0.93”) thick

Dimensions = 164mm (6.46”) long x 44mm (1.73”) high x 29mm (1.14”) thick - 216 grams (0.5 lbs)

Construction = Black nylon and black thermoplastic

Power source = 11-28VDC input - 0.75 Amps 24V / 1.5 Amps 12V - 30 Watt - Operating temp from -30°C (-22°F) to 50°C (122°F)

## ***Troubleshooting:***

Please contact our technical support staff in Florida at 1-954-760-4447, Monday to Friday from 8:00 am to 5:00 pm EST.

## ***Warranty:***

Underwater Lights® USA, LLC warrants this light to be free from defects in workmanship and materials for a period of two years from the date of original purchase. Further, misuse, abuse, improper installation, neglect, improper shipping, damage caused by disasters such as fire, flood and lightning, unauthorized repair or modifications will void said warranty. Should your light prove defective during the warranty period, promptly contact Underwater Lights® USA, LLC for an RMA number and then return the light freight prepaid with the RMA number clearly marked on the outside of the shipping container.

---

Underwater Lights USA, LLC  
1881 W State Road 84, Bay 102  
Fort Lauderdale, FL 33315 USA  
Phone: 1-954-760-4447  
Fax: 1-954-525-3261  
Internet: [www.seavision.com](http://www.seavision.com)  
Email: [sales@seavision.com](mailto:sales@seavision.com)

DOC:111807-12

Underwater Lights Europe Sarl  
16, rue Rouaze  
06400 Cannes, France  
Phone: 33-(0)-4-97-21-02-96  
Fax: 33-(0)-4-97-21-10-96  
Internet: [www.seavision.com](http://www.seavision.com)  
Email: [sales@seavisioneurope.com](mailto:sales@seavisioneurope.com)

# SV44 Light Gen II

SURFACE MOUNTED,  
8 LED, 11-28VDC



## Installation:

This light should be installed at least 125-150mm (5-6") below the water line by qualified/approved personnel using proper tools and material. The placement of surface mounted underwater lights on the hull bottom or sides is not recommended. **Important!**

**To prevent lense breakage, mounting surface must be flat and have no raised imperfections. To prevent mounting tab breakage, carefully and evenly tighten the three Phillips Pan Head Screws (11) by hand using a screwdriver (do not use power tools!).**

*For cable existing at top* - After selecting an appropriate flat surface on the vessel hull, attach the light using three Phillips Pan Head Screws (11) and 3M 5200 marine adhesive or equivalent. Note: Depending upon installation surface material, three small pilot holes may be required. Caution! Check that no electrical wiring, fuel lines, oil lines, water lines etc., pass near the desired mounting location.

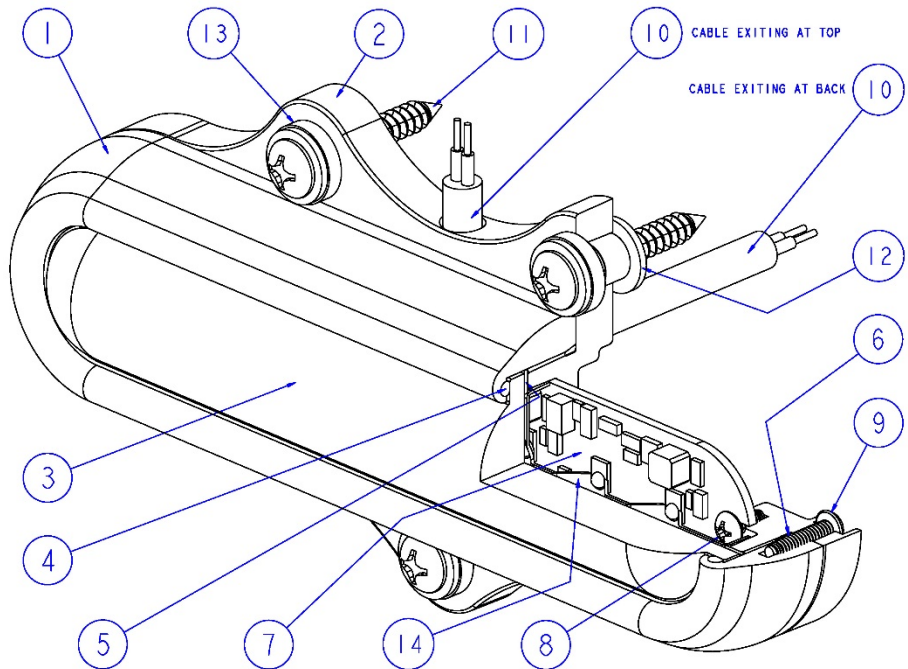
*For cable existing at back* - After selecting an appropriate flat surface on the vessel hull, drill an 8mm (5/16") diameter hole through said surface for electrical cable routing then attach the light using three Phillips Pan Head Screws (11) and 3M 5200 marine adhesive or equivalent. Note: Depending upon installation surface material, three small pilot holes may be required. Caution! Check that no electrical wiring, fuel lines, oil lines, water lines etc., pass near the desired mounting location.

Route Electrical Cable (10) above the water line (or thru vessel hull) and into the vessel proper, then secure accordingly. Caution! Avoid making tight bends and/or passing electrical cable over sharp edges/surfaces. Connect RED wire lead to a switched and fused power source utilizing supplied fuse and connect BLACK wire lead to a good ground.

**The placement of surface mounted underwater lights on the hull bottom or sides is not recommended.**

CABLE EXITING AT TOP - MODEL G18M15Z48-99Z99Z-23 WHITE, 12/24VDC  
 CABLE EXITING AT TOP - MODEL G18M15Z49-99Z99Z-23 BLUE, 12/24VDC  
 CABLE EXITING AT BACK - MODEL G18M15Z48-99Z99Z-24 WHITE, 12/24VDC  
 CABLE EXITING AT BACK - MODEL G18M15Z49-99Z99Z-24 BLUE, 12/24VDC

BALLOON	PART	DESCRIPTION
1	44006	FRONT FLANGE
2	44062	BACK COVER
3	44011	LENSE
4	44045	LENSE O-RING
5	44034	GLASS GASKET
6	44046	BACK COVER O-RING
7	44071 44072	WHITE LED ARRAY BLUE LED ARRAY
8	44058	No. 4-24 x 1/4 LG SST PPHS
9	44067	No. 4-24 x 1/2 LG SST PPHS
10	44050	ELECTRICAL CABLE
11	44061	No. 10 x 1-1/4" LG SST PPHS
12	44068	TAB BUSHING
13	44069	TAB WASHER
14	44073	REFLECTOR



Underwater Lights USA, LLC  
 1881 W State Road 84, Bay 102  
 Fort Lauderdale, FL 33315 USA  
 Phone: 1-954-760-4447  
 Fax: 1-954-525-3261  
 Internet: [www.seavision.com](http://www.seavision.com)  
 Email: [sales@seavision.com](mailto:sales@seavision.com)

DOC:111807-12

Underwater Lights Europe Sarl  
 16, rue Rouaze  
 06400 Cannes, France  
 Phone: 33-(0)-4-97-21-02-96  
 Fax: 33-(0)-4-97-21-10-96  
 Internet: [www.seavision.com](http://www.seavision.com)  
 Email: [sales@seavisioneurope.com](mailto:sales@seavisioneurope.com)