

SV20 LED Underwater Light

Thru-Hull Mount, LED Retrofit



The SV20 LED Retrofit Kit is designed to serve as a direct replacement for the SV20 HID components without the need for replacing the main housing.

Installation:

Unless other housing components need replacement, the SV20 LED Retrofit Kit installation can be performed while the vessel remains in the water.

Remove existing HID components shown in Figure 1 per SV20 HID Thru Hull Light Installation Manual.

Install supplied new LED components shown in Figure 2 per supplied SV20 LED Thru Hull Underwater Light Installation Manual.

Note: Unplug and remove the existing SV20 HID ballast then plug the new SV20 LED driver into power source connector.

Troubleshooting:

Please contact our Florida technical support staff at 1-954-760-4447 or French technical support staff at +33 (0) 497 21 0296, Monday thru Friday from 8:00 am to 5:00 pm local time.

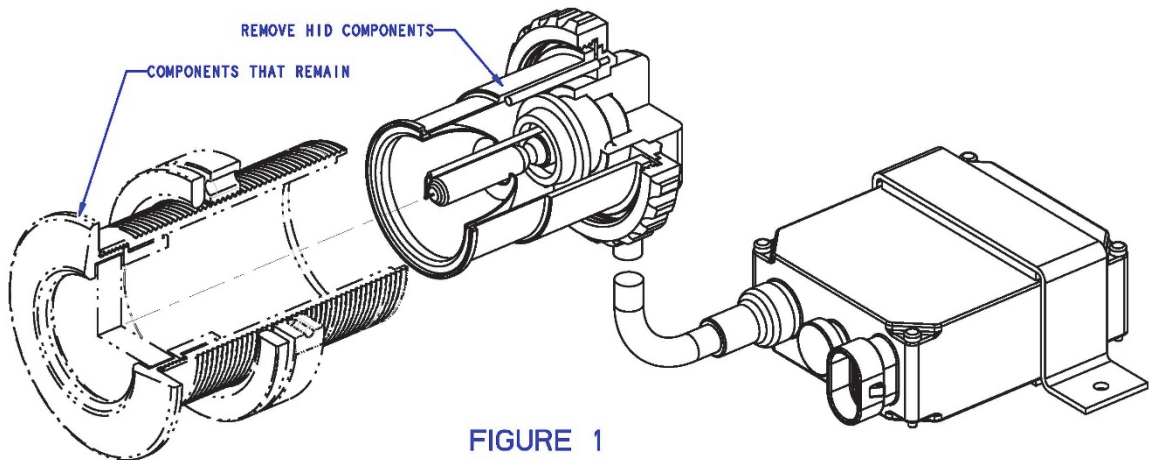


FIGURE 1

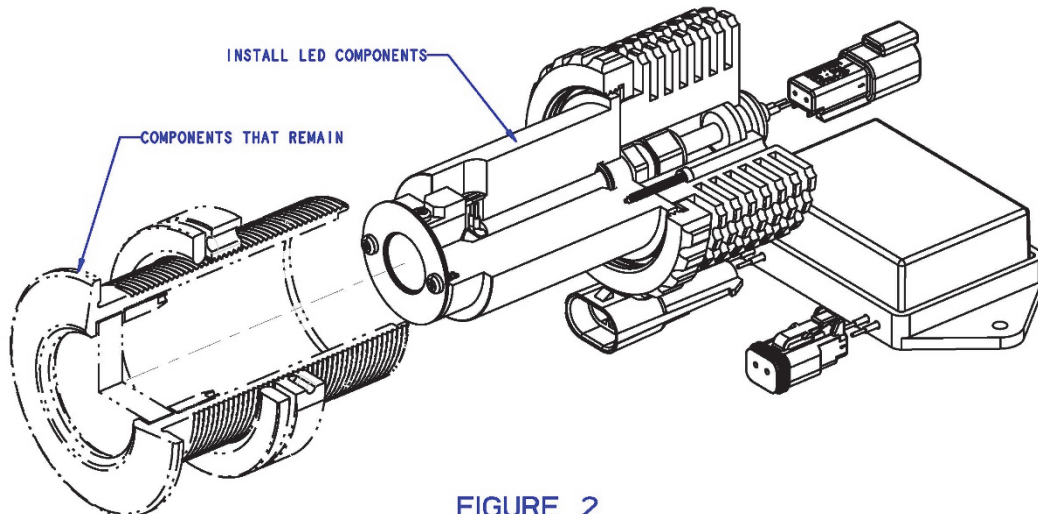


FIGURE 2