




This light utilizes a 50 watt HID xenon lamp and 50 watt ballast. It is the only underwater light with a built in igniter and ballast in the actual body of the casing. It is the brightest 12 or 24 volt DC light available. It can be installed on small to mid size boats including center console, sportfishers and cruisers. The vessel must be hauled out for installation although lamp change and any maintenance can be done in the water from within the hull.



Patent No. US 7,458,330 B2

SV19 technical specifications

Application for:	GRP/fiberglass/wood hulls	Angles available:	Flush
Lamp:	50 watt HID xenon	Weight:	1.9Kg/4.2lbs
Life length:	approx. 3,000 hours plus	Code:	SV19
Lumens:	5,300	Total shipping weight:	1.9 Kg / 5 lbs
Kelvin colour temp:	3900	Installation:	Recommended at minimum 10" (250mm) below the waterline between 3 - 6 feet (1 - 2 meters) apart. (80mm) 3.15" cut out hole
Glass lens:	Borosilicate glass	Optional lamp:	35 watt HID xenon with 5100 Kelvin color temperature 35 watt HID xenon with 10000 Kelvin color temperature
Thickness:	12.7mm / 0.5"	<i>All information is subject to change without prior notice, please confirm details prior to ordering.</i>	
Diameter:	52mm / 2"	 RINA ABS CE USCG Ignition Protected	
Power supply:	12VDC - 4-4.6 amps running, max 8 amps startup 24VDC - 1.8-2.4 amps running, max 5 amps startup		
Casing material:	Marine Bronze / Marine Aluminum		
Dimensions:	Flange diameter: 105 mm (4.13") Body length: 189 mm (7.44")		

SV19 Light

12VDC/50W Xenon
24VDC/50W Xenon



Introduction:

Congratulations on the purchase of your new thru hull light (Patent No. US 7,458,330 B2). Underwater Lights® USA, LLC takes pride in providing well designed, high quality and thoroughly tested lights that allow you to "enhance your boating experience". These lights can be installed in your vessel for aesthetics, to attract fish, for security and safety.

General Operating Information:

The 50W, HID, gas discharge lamp used in this light is a commercial grade high technology instant re-strike lamp. This lamp will generally reach full brightness in less than 1 minute.

The light can be operated for a brief period of time when the vessel is out of the water, but, it is crucial that the vessel is in the water to ensure proper lamp cooling, however, the light can be operated while the vessel is underway.

Depending upon water clarity conditions, the light beam can reach up to 21 meters (70 feet).

General Safety Information:

This light is intended for use on fiberglass and wood hulled vessels.

Never try to install or remove this light while the vessel is in the water.

The body of the light must be electrically joined to the vessels grounding and cathodic protection system. Failure to do so may cause light corrosion.

Always disconnect and lock-out power before working on light.

The light should be visually inspected every six months.

The light and electrical cabling should be visually inspected for proper operating condition every six months.

Marine growth should be removed from the glass using a soft brush to allow both heat and illumination to exit the light.

Technical Specifications:

Lamp = 50 Watt - Xenon - 5,300 Lumens - 3900 Kelvin color temperature - Approximately 3,000 hours life (standard)

Lamp = 35 Watt - Xenon - 2,500 Lumens - 5100 Kelvin color temperature - Approximately 3,000 hours life (optional)

Lamp = 35 Watt - Xenon - 1,850 Lumens - 10000 Kelvin color temperature - Approximately 3,000 hours life (optional)

Glass = Borosilicate glass - 12.7mm (0.5") thick - 52mm (2.0") diameter net aperture

Dimensions = 105mm (4.13") diameter x 189mm (7.44") long - 1.9 kilograms (4.2 pounds)

Construction = Marine bronze - Black anodized marine aluminum alloy - Black delrin

Power supply = 8-16.8VDC – 4–4.6 Amps running (8 Amps max) - 8 Amp fast blow fuse - Minimum operating temp -30°C (-22°F)

OR

Power supply = 18-33VDC – 1.8–2.4 Amps running (5 Amps max) - 8 Amp fast blow fuse - Minimum operating temp -30°C (-22°F)

Caution! Because reversing polarity will severely damage the Ignitor with Ballast, RED wire must be connected to (+) POSITIVE, BLACK wire must be connected to (-) NEGATIVE and RED wire mounted fast blow fuse must be used.

Troubleshooting:

Please contact our technical support staff in Florida at 1-954-760-4447, Monday to Friday from 8:00 am to 5:00 pm EST.

Warranty:

Underwater Lights® USA, LLC warrants this light to be free from defects in workmanship and materials for a period of two years from the date of original purchase (except lamps). Further, misuse, abuse, improper installation, neglect, improper shipping, damage caused by disasters such as fire, flood and lightning, unauthorized repair or modifications will void said warranty. Should your light prove defective during the warranty period, promptly contact Underwater Lights® USA, LLC for an RMA number and then return the light freight prepaid with the RMA number clearly marked on the outside of the shipping container.

Underwater Lights USA, LLC
1881 W State Road 84, Bay 102
Fort Lauderdale, FL 33315 USA
Phone: 1-954-760-4447
Fax: 1-954-525-3261
Internet: www.seavision.com
Email: sales@seavision.com

DOC:120305-5

Underwater Lights Europe Sarl
16 rue Rouaze
06400 Cannes, France
Phone: 33-(0)-4-97-21-02-96
Fax: 33-(0)-4-97-21-10-96
Internet: www.seavision.com
Email: sales@seavisioneurope.com

SV19 Light

12VDC/50W Xenon
24VDC/50W Xenon



Installation:

This light should be installed at least 250-300mm (10-12") below the water line by qualified/approved personnel using proper tools and materials. The minimum hull thickness is 12mm (0.47") and maximum is 107mm (4.2") with an access area of at least 115mm (4.5") left behind the light for lamp servicing and general ventilation.

After selecting a flat surface, cut a 80mm (3-1/4") diameter hole through the vessel hull in the desired location. Caution! Check that no electrical wiring, fuel lines, oil lines, water lines etc., pass near or through the intended hole location.

Remove numbers (7), (6), (8), (9), (16) + (5) from the light. Carefully coat the Main Body (1), Front Flange (2) and inner surface of above cut hole with 3M 5200 Marine Adhesive or equivalent. Caution! Avoid placing adhesive on main body threads. Note: Exposed inner hole surface must be properly sealed before light installation to prevent potential water intrusion into the hull proper.

Holding the Front Flange (2), push the light through the hole, slide the Compression Ring (6) over the Main Body (1) and then tighten the Locking Ring (7) hand tight. Note: Ensure that the tips of all three fasteners (18) are NOT touching the Compression ring (6). After the 3M 5200 Marine Adhesive is fully cured, tighten the three fasteners (18) to 9 Nm (7 ft/lbs) using a 5mm allen wrench.

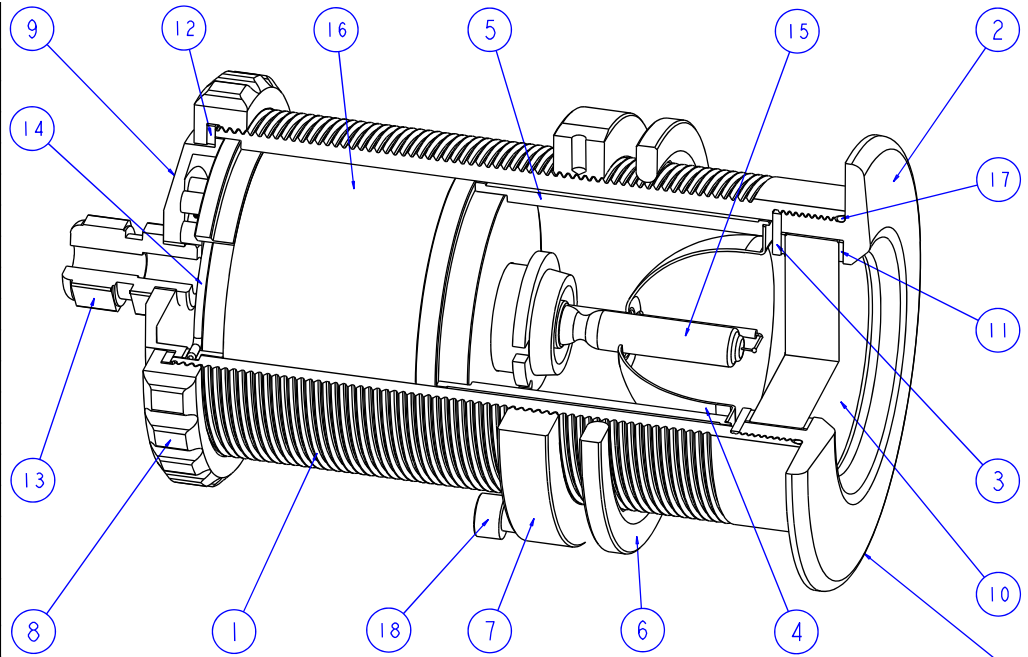
Slip the Reflector Tube (5) and Ignitor with Ballast (16) into the Main Body (1), place the Projector Cap (9) over the end of the Main Body (1) and then screw the Projector Lid (8) onto the Main Body (1) hand tight. Connect the RED wire lead to a switched and fused 12VDC power source (using supplied fast blow fuse) and the BLACK wire lead to good ground. **Caution! Reversing polarity will severely damage the Ignitor with Ballast.**

Upon completing light installation, it is highly recommended that Front Flange (2) be coated with antifouling paint. Also, hand tighten 4mm set screw located in Locking Ring (7), then connect wire lead from 4mm screw provided on Locking Ring (7) to the vessels grounding and cathodic protection system.

Serviceable Parts:

Lamp replacement is done by unscrewing the Projector Lid (8), removing the Projector Cap (9), sliding the Ignitor with Ballast (16) out of the Main Body (1) and removing the Lamp (15). Light re-assembly by is done by reversing said procedure. Caution! Ensure that the new lamp is clean and free of dust, dirt, grease, oil, water and finger prints. Additionally, Glass (10) and Glass Gasket (11) replacement is not field serviceable on this light.

MODEL A12B11A14-13D12C, 12VDC/50W XENON MODEL A12B11A14-14D12C, 24VDC/50W XENON		
BALLOON	PART	DESCRIPTION
1	19036	MAIN BODY
2	19002	FRONT FLANGE
3	19003	GLASS RETAINING RING
4	19004	REFLECTOR
5	19039	REFLECTOR TUBE
6	19006	COMPRESSION RING
7	19007	LOCKING RING
8	19008	PROJECTOR LID
9	19009	PROJECTOR CAP
10	19010	GLASS
11	19011	GLASS GASKET
12	19012	PROJECTOR LID GASKET
13	19013	CABLE STRAIN RELIEF
14	19014	WIRE PULL HANDLE
15	19015 19048 19049	LAMP, 50W, 3900K (STD) LAMP, 35W, 5100K (OPT) LAMP, 35W, 10000K (OPT)
16	19041 19067	12VDC IGNITOR WITH BALLAST 24VDC IGNITOR WITH BALLAST
17	19017	FRONT FLANGE O-RING
18	19018	M6 x 1.0 x 25LG SST SHCS



105mm (4.13") OD x 189mm (7.44") OAL. NOTE: REQUIRES A 80mm (3.15") DIAMETER HOLE

Underwater Lights USA, LLC
1881 W State Road 84, Bay 102
Fort Lauderdale, FL 33315 USA
Phone: 1-954-760-4447
Fax: 1-954-525-3261
Internet: www.seavision.com
Email: sales@seavision.com

DOC:120305-5

Underwater Lights Europe Sarl
16 rue Rouaze
06400 Cannes, France
Phone: 33-(0)-4-97-21-02-96
Fax: 33-(0)-4-97-21-10-96
Internet: www.seavision.com
Email: sales@seavisioneurope.com