

# SV19 LED GEN II Underwater Light

Thru-Hull Mount,  
LED to LED Retrofit



The SV19 LED Retrofit Kit is designed to serve as a direct replacement for the original series SV19 LED light without the need for replacing the thru hull components. The internal LED driver of the existing light is replaced with an external LED driver that can be mounted in a convenient dry location.

## **Installation:**

Unless other housing components need replacement, the SV19 LED Retrofit Kit installation can be performed while the vessel remains in the water.

Remove original series LED components shown in Figure 1 per SV19 LED Thru Hull Light Installation Manual.

Install supplied new LED components shown in Figure 2 per supplied SV19 LED GEN II Thru Hull Underwater Light Installation Manual.

## **Troubleshooting:**

Please contact our Florida technical support staff at 1-954-760-4447 or French technical support staff at +33 (0) 497 21 0296, Monday thru Friday from 8:00 am to 5:00 pm local time.

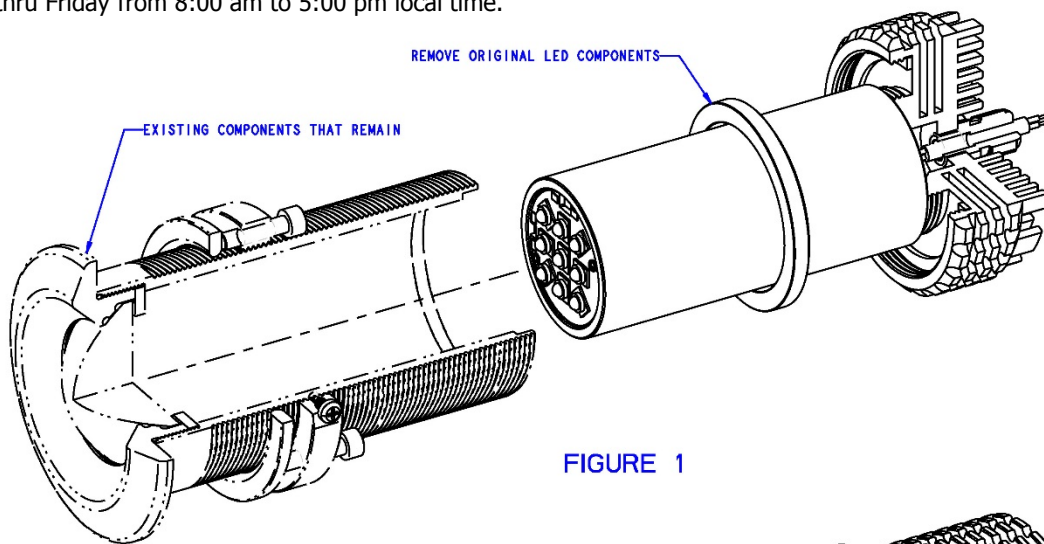


FIGURE 1

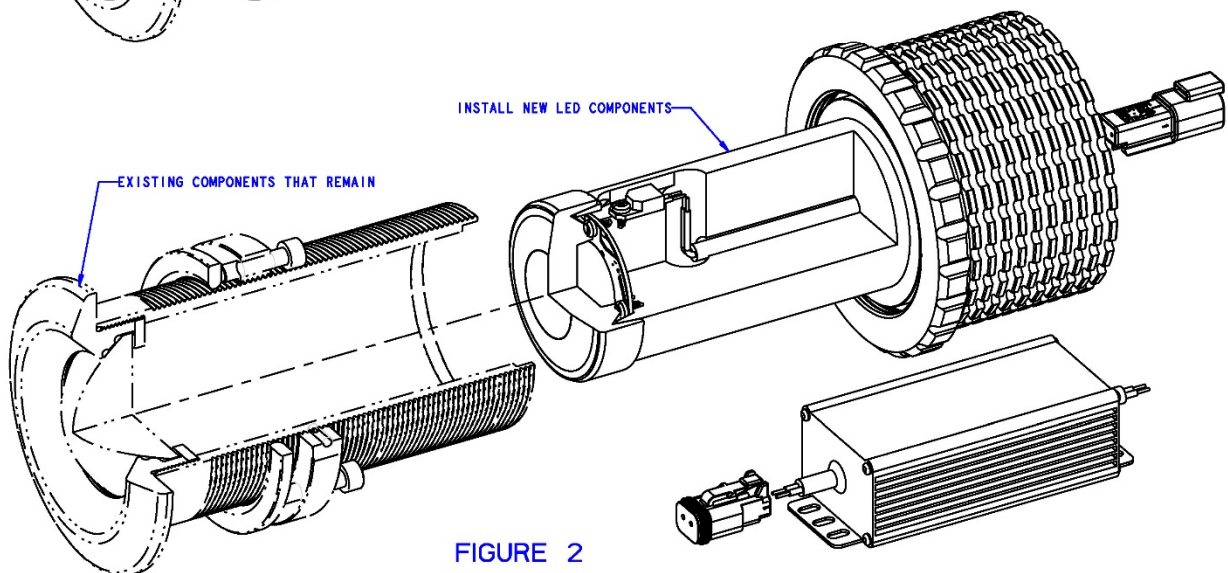


FIGURE 2

Underwater Lights USA, LLC  
1881 W State Road 84, Bay 102  
Fort Lauderdale, FL 33315 USA  
Phone: 1-954-760-4447  
Fax: 1-954-525-3261  
Internet: [www.seavision.com](http://www.seavision.com)  
Email: [sales@seavision.com](mailto:sales@seavision.com)

DOC:120715-1

Underwater Lights Europe Sarl  
16, rue Rouaze  
06400 Cannes, France  
Phone: 33-(0)-4-97-21-02-96  
Fax: 33-(0)-4-97-21-10-96  
Internet: [www.seavision.com](http://www.seavision.com)  
Email: [sales@seavisioneurope.com](mailto:sales@seavisioneurope.com)