

SV14 LED Underwater Light

STEEL/ALUMINUM, LED Retrofit



The SV14 LED Retrofit Kit is designed to serve as a direct replacement for the SV14 HID components without the need for replacing the vessels weld-in front flange.

Installation:

Unless other weld-in front flange affixed components need replacement, the SV14 LED Retrofit Kit installation can be performed while the vessel remains in the water.

Remove existing SV14 HID components shown in Figure 1 per SV14 HID Weld-in Light installation manual.

Install new retrofit kit LED components shown in Figure 2 per supplied SV14 LED Light installation manual. Note: The SV14 HID ballast and ballast box will need to be replaced with the new SV14 LED driver and driver box. Please use supplied SV14 LED Driver Box installation manual for this operation.

Troubleshooting:

Please contact our Florida technical support staff at 1-954-760-4447 or French technical support staff at +33 (0) 497 21 0296, Monday thru Friday from 8:00 am to 5:00 pm local time.

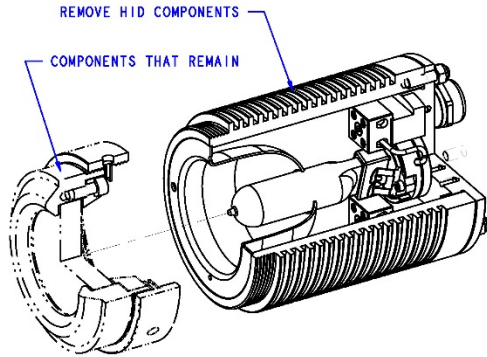


FIGURE 1

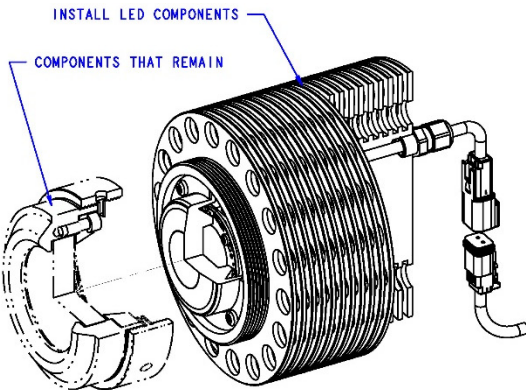
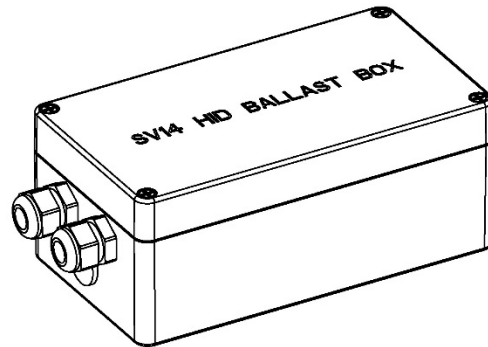


FIGURE 2

